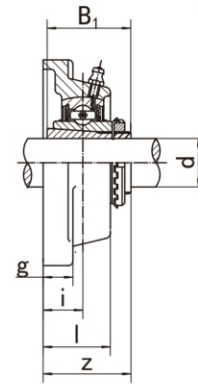
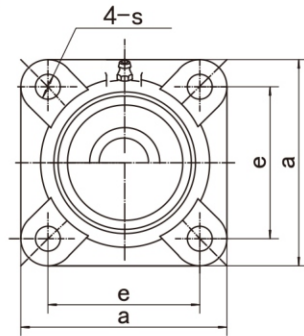


UKFX (Medium-duty)

Flange Units (Square)
(with adapter mounted)



Unit No.	Dimensions (mm / in.)									Bolt Size mm/in.	Bearing No.	Housing No.	Weight (kg)
	d	a	e	i	g	l	s	z	B ₁				
UKFX05;H2305 X05;HE2305	20 3/4	108 4-1/4	83 3-17/64	18 45/64	13 1/2	30 1-3/16	12 15/32	39 1-17/32	35 1.378	M10 3/8	UKX05;H2305 UKX05;HE2305	FX05	1.10
UKFX06;H2306 X06;HS2306 X06;HE2306	25 7/8 1	117 4-39/64	92 3-5/8	19 3/4	14 9/16	34 1-11/32	16 5/8	42 1-41/64	38 1.496	M14 1/2	UKX06;H2306 UKX06;HS2306 UKX06;HE2306	FX06	1.40
UKFX07;H2307 X07;HS2307	30 1-1/8	130 5-1/8	102 4-1/64	21 53/64	14 9/16	38 1-1/2	16 5/8	46 1-51/64	43 1.693	M14 1/2	UKX07;H2307 UKX07;HS2307	FX07	1.80
UKFX08;H2308 X08;HE2308 X08;HS2308	35 1-1/4 1-3/8	137 5-13/32	105 4-9/64	22 55/64	14 9/16	40 1-9/16	19 3/4	48 1-7/8	46 1.811	M16 5/8	UKX08;H2308 UKX08;HE2308 UKX08;HS2308	FX08	2.10
UKFX09;H2309 X09;HA2309 X09;HE2309 X09;HS2309	40 1-7/16 1-1/2 1-5/8	143 5-5/8	111 4-3/8	23 29/32	14 9/16	40 1-9/16	19 3/4	50 1-31/32	50 1.969	M16 5/8	UKX09;H2309 UKX09;HA2309 UKX09;HE2309 UKX09;HS2309	FX09	2.40
UKFX10;H2310 X10;HS2310 X10;HA2310 X10;HE2309	45 1-5/8 1-11/16 1-3/4	162 6-3/8	130 5-1/8	26 1-1/32	20 25/32	44 1-23/32	19 3/4	56 2-3/16	55 2.165	M16 5/8	UKX10;H2310 UKX10;HS2310 UKX10;HA2310 UKX10;HE2309	FX10	3.40
UKFX11;H2311 X11;HS2311 X11;HA2311 X11;HE2311	50 1-7/8 1-15/16 2	175 6-57/64	143 5-5/8	29 1-9/64	20 25/32	49 1-15/16	19 3/4	60 2-23/64	59 2.323	M16 5/8	UKX11;H2311 UKX11;HS2311 UKX11;HA2311 UKX11;HE2311	FX11	4.20
UKFX12;H2312 X12;HS2312	55 2-1/8	187 7-23/64	149 5-55/64	34 1-11/32	21 13/16	59 2-5/16	19 3/4	67 2-41/64	62 2.441	M16 5/8	UKX12;H2312 UKX12;HS2312	FX12	5.10
UKFX13;H2313 X13;HA2313 X13;HE2313 X13;HS2313	60 2-3/16 2-1/4 2-3/8	187 7-23/64	149 5-55/64	34 1-11/32	21 13/16	59 2-5/16	19 3/4	68 2-11/16	65 2.559	M16 5/8	UKX13;H2313 UKX13;HA2313 UKX13;HE2313 UKX13;HS2313	FX13	5.50
UKFX15;H2315 X15;HA2315 X15;HS2315	65 2-7/16 2-1/2	197 7-3/4	152 5-63/64	40 1-37/64	24 15/16	68 2-11/16	23 29/32	78 2-3/64	73 2.874	M20 3/4	UKX15;H2315 UKX15;HA2315 UKX15;HS2315	FX15	7.60
UKFX16;H2316 X16;HA2316 X16;HS2316	70 2-11/16 2-3/4	214 8-7/16	171 6-47/64	40 1-37/64	24 15/16	70 2-3/4	23 29/32	80 3-5/32	78 3.071	M20 3/4	UKX16;H2316 UKX16;HA2316 UKX16;HS2316	FX16	9.30
UKFX17;H2317 X17;HA2317 X17;HE2317	75 2-15/16 3	214 8-7/16	171 6-47/64	40 1-37/64	24 15/16	70 2-3/4	23 29/32	82 3-13/64	82 3.228	M20 3/4	UKX17;H2317 UKX17;HA2317 UKX17;HE2317	FX17	10.10
UKFX18;H2318 X18;HA2318	80 3-3/16	214 8-7/16	171 6-47/64	45 1-49/64	24 15/16	76 3	23 29/32	88 3-15/32	86 3.386	M20 3/4	UKX18;H2318 UKX18;HA2318	FX18	11.50
UKFX20;H2320 X20;HA2320	90 3-1/2	268 10-9/16	211 8-5/16	59 2-21/64	31 1-7/32	97 3-13/16	31 1-7/32	106 4-3/64	97 3.819	M27 1	UKX20;H2320 UKX20;HA2320	FX20	19.10