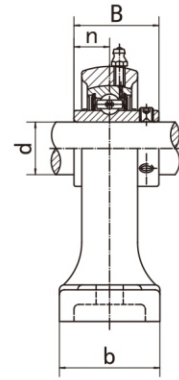
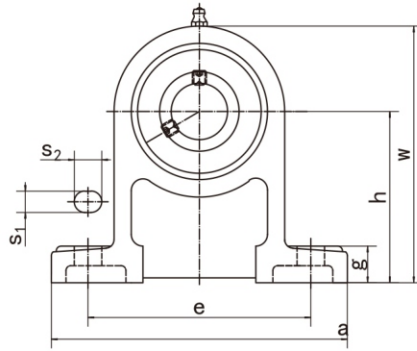


UCPH2 (Normal-duty)

Pillow Blocks
(with setscrews)



Unit NO.	Dimensions (mm / in.)											Bolt Size mm/in.	Bearing No.	Housing No.	Weight (kg)
	d	h	a	e	b	s1	s2	g	w	B	n				
UCPH201	12	70	127	95	40	13	19	15	101	31	12.7	M10	UC201	PH201	0.84
201-8	1/2	2-3/4	5	3-3/4	1-9/16	1/2	3/4	19/32	3-63/64	1.2205	0.500	3/8	UC201-8		0.83
UCPH202	15	70	127	95	40	13	19	15	101	31	12.7	M10	UC202	PH202	0.83
202-9	9/16	2-3/4	5	3-3/4	1-9/16	1/2	3/4	19/32	3-63/64	1.2205	0.500	3/8	UC202-9		0.83
202-10	5/8												UC202-10		0.83
UCPH203	17	70	127	95	40	13	19	15	101	31	12.7	M10	UC203	PH203	0.82
203-11	11/16	2-3/4	5	3-3/4	1-9/16	1/2	3/4	19/32	3-63/64	1.2205	0.500	3/8	UC203-11		0.81
UCPH204	20	70	127	95	40	13	19	15	101	31	12.7	M10	UC204	PH204	0.80
204-12	3/4	2-3/4	5	3-3/4	1-9/16	1/2	3/4	19/32	3-63/64	1.2205	0.500	3/8	UC204-12		0.80
UCPH205	25	80	140	105	50	13	19	16	114	34.1	14.3	M10	UC205		1.04
205-13	13/16												UC205-13	PH205	1.08
205-14	7/8	3-5/32	5-1/2	4-1/8	1-31/32	1/2	3/4	5/8	4-31/64	1.3425	0.563	3/8	UC205-14		1.07
205-15	15/16												UC205-15		1.05
205-16	1												UC205-16		1.04
UCPH206	30	90	161	121	50	17	21	17	130	38.1	15.9	M14	UC206		1.45
206-17	1-1/16												UC206-17	PH206	1.46
206-18	1-1/8	3-35/64	6-11/32	4-3/4	1-31/32	43/64	53/64	43/64	5-1/8	1.5000	0.626	1/2	UC206-18		1.47
206-19	1-3/16												UC206-19		1.45
206-20	1-1/4												UC206-20		1.44
UCPH207	35	95	166	127	60	17	21	18	140	42.9	17.5	M14	UC207		1.83
207-20	1-1/4												UC207-20	PH207	1.89
207-21	1-5/16	3-47/64	6-17/32	5	2-23/64	43/64	53/64	45/64	5-33/54	1.6890	0.689	1/2	UC207-21		1.86
207-22	1-3/8												UC207-22		1.83
207-23	1-7/16												UC207-23		1.80
UCPH208	40	100	178	137	70	17	21	19	150	49.2	19	M14	UC208		2.40
208-24	1-1/2	3-15/16	7-1/64	5-13/32	2-3/4	43/64	53/64	3/4	5-29/32	1.9370	0.748	1/2	UC208-24	PH208	2.44
208-25	1-9/16												UC208-25		2.41
UCPH209	45	105	189	146	70	17	21	20	158	49.2	19	M14	UC209		2.67
209-26	1-5/8												UC209-26	PH209	2.77
209-27	1-11/16	4-9/64	7-7/16	5-3/4	2-3/4	43/64	53/64	25/32	6-7/32	1.9370	0.748	1/2	UC209-27		2.37
209-28	1-3/4												UC209-28		2.69
UCPH210	50	110	205	159	70	20	23	21	165	51.6	19	M16	UC210		2.97
210-29	1-13/16												UC210-29	PH210	3.09
210-30	1-7/8	4-21/64	8-5/64	6-1/4	2-3/4	25/32	29/32	53/64	6-1/2	2.0315	0.748	5/8	UC210-30		3.04
210-31	1-15/16												UC210-31		2.99
210-32	2												UC210-32		2.95
UCPH211	55	120	219	171	75	20	23	22	181	55.6	22.2	M16	UC211		3.82
211-32	2												UC211-32	PH211	3.97
211-33	2-1/16	4-23/32	8-5/8	6-47/64	2-61/64	25/32	29/32	55/64	7-1/8	2.1890	0.874	5/8	UC211-33		3.87
211-34	2-1/8												UC211-34		3.91
211-35	2-3/16												UC211-35		3.80
UCPH212	60	130	241	184	85	20	23	25	197	65.1	25.4	M16	UC212		5.01
212-36	2-1/4												UC212-36	PH212	5.14
212-37	2-5/16	5-1/8	9-1/2	7-1/4	3-11/32	25/32	29/32	63/64	7-3/4	2.5630	1.000	5/8	UC212-37		5.06
212-38	2-3/8												UC212-38		4.99
212-39	2-7/16												UC212-39		4.92
UCPH213	65	140	265	203	95	25	28	27	212	65.1	25.4	M20	UC213		6.11
213-40	2-1/2	5-33/64	10-7/16	8	3-3/4	63/64	1-3/32	1-1/16	8-11/32	2.5630	1.000	3/4	UC213-40	PH213	6.20
213-41	2-9/16												UC213-41		6.11
UCPH214	70	150	266	210	105	25	28	28	225	74.6	30.2	M20	UC214		7.06
214-42	2-5/8												UC214-42	PH214	7.27
214-43	2-11/16	5-29/32	10-15/32	8-17/64	5-9/64	63/64	1-3/32	1-7/64	8-55/64	2.9370	1.189	3/4	UC214-43		7.17
214-44	2-3/4												UC214-44		7.07
UCPH215	75	160	275	217	115	25	28	29	238	77.8	33.3	M20	UC215		7.98
215-45	2-13/16												UC215-45	PH215	7.98
215-46	2-7/8	6-19/64	10-53/64	8-35/64	4-17/32	63/64	1-3/32	1-9/64	9-3/8	3.0630	1.311	3/4	UC215-46		8.23
215-47	2-15/16												UC215-47		8.12
215-48	3												UC215-48		7.92
UCPH216	80	170	292	232	125	25	28	30	253	82.6	33.3	M20	UC216		9.30
216-49	3-1/16												UC216-49	PH216	9.48
216-50	3-1/8	6-11/16	11-1/2	9-1/8	4-59/64	63/64	1-3/32	1-3/16	9-61/64	3.2520	1.311	3/4	UC216-50		9.35
216-51	3-3/16												UC216-51		9.22