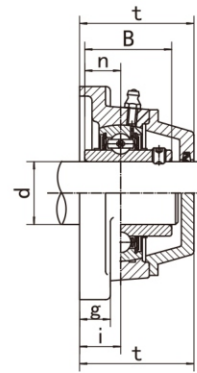
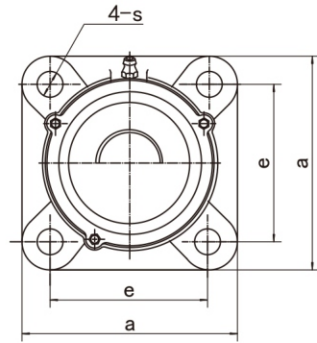


Flange Units (Square)

UCCF2 (Normal-duty)



Unit NO.	Dimensions (mm / in.)										Bolt Size mm/in.	Bearing No.	Housing No.	Weight (kg)
	d	a	e	i	g	s	t	B	n					
UCCF204	20	86	64	15	12.0	12	46	31	12.7	M10	UC204	CF204	0.76	
204-12	3/4	3-3/8	2-33/64	19/32	15/32	15/32	1-13/16	1.2205	0.500	3/8	UC204-12		0.76	
UCCF205	25	95	70	16	14	12	51	34.1	14.3	M10	UC205	CF205	1.12	
205-13	13/16										UC205-13		1.16	
205-14	7/8	3-3/4	2-3/4	5/8	35/64	15/32	2-1/64	1.3425	0.563	3/8	UC205-14		1.15	
205-15	15/16										UC205-15		1.13	
205-16	1										UC205-16		1.12	
UCCF206	30	108	83	18	14	12	55	38.1	15.9	M10	UC206	CF206	1.42	
206-17	1-1/16										UC206-17		1.43	
206-18	1-1/8	4-1/4	3-17/64	45/64	35/64	15/32	2-11/64	1.5000	0.626	3/8	UC206-18		1.44	
206-19	1-3/16										UC206-19		1.42	
206-20	1-1/4										UC206-20		1.41	
UCCF207	35	117	92	19	16	14	59	42.9	17.5	M12	UC207	CF207	1.83	
207-20	1-1/4										UC207-20		1.89	
207-21	1-5/16	4-39/64	3-5/8	3/4	5/8	35/64	2-21/64	1.6890	0.689	7/16	UC207-21		1.86	
207-22	1-3/8										UC207-22		1.83	
207-23	1-7/16										UC207-23		1.80	
UCCF208	40	130	102	21	16	16	66	49.2	19	M14	UC208	CF208	2.51	
208-24	1-1/2	5-1/8	4-1/64	53/64	5/8	5/8	2-21/64	1.9370	0.748	1/2	UC208-24		2.55	
208-25	1-9/16										UC208-25		2.52	
UCCF209	45	137	105	22	18	16	67	49.2	19	M14	UC209	CF209	2.90	
209-26	1-5/8										UC209-26		3.00	
209-27	1-11/16	5-13/32	4-9/64	55/64	23/32	5/8	2-41/64	1.9370	0.748	1/2	UC209-27		2.96	
209-28	1-3/4										UC209-28		2.92	
UCCF210	50	143	111	22	18	16	71	51.6	19	M14	UC210	CF210	3.16	
210-29	1-13/16										UC210-29		3.28	
210-30	1-7/8	5-5/8	4-3/8	55/64	23/32	5/8	2-51/64	2.0315	0.748	1/2	UC210-30		3.23	
210-31	1-15/16										UC210-31		3.18	
210-32	2										UC210-32		3.14	
UCCF211	55	162	130	25	20	19	75	55.6	22.2	M16	UC211	CF211	4.47	
211-32	2										UC211-32		4.62	
211-33	2-1/16	6-3/8	5-1/8	63/64	25/32	3/4	2-61/64	2.1890	0.874	5/8	UC211-33		4.56	
211-34	2-1/8										UC211-34		4.51	
211-35	2-3/16										UC211-35		4.45	
UCCF212	60	175	143	29	20	19	86	65.1	25.4	M16	UC212	CF212	5.77	
212-36	2-1/4										UC212-36		5.90	
212-37	2-5/16	6-57/64	5-5/8	1-9/64	25/32	3/4	3-25/64	2.5630	1.000	5/8	UC212-37		5.82	
212-38	2-3/8										UC212-38		5.75	
212-39	2-7/16										UC212-39		5.68	
UCCF213	65	187	149	30	22	19	89	65.1	25.4	M16	UC213	CF213	7.08	
213-40	2-1/2	7-23/64	5-55/64	1-3/16	55/64	3/4	3-1/2	2.5630	1.000	5/8	UC213-40		7.17	
213-41	2-9/16										UC213-41		7.08	
UCCF214	70	193	152	31	22	19	98	74.6	30.2	M16	UC214	CF214	7.80	
214-42	2-5/8										UC214-42		8.01	
214-43	2-11/16	7-19/32	5-63/64	1-7/32	55/64	3/4	3-55/64	2.9370	1.189	5/8	UC214-43		7.91	
214-44	2-3/4										UC214-44		7.81	
UCCF215	75	200	159	34	22	19	102	77.8	33.3	M16	UC215	CF215	8.81	
215-45	2-13/16										UC215-45		9.06	
215-46	2-7/8	7-7/8	6-17/64	1-11/32	55/64	3/4	4-1/64	3.0630	1.311	5/8	UC215-46		8.95	
215-47	2-15/16										UC215-47		8.84	
215-48	3										UC215-48		8.72	
UCCF216	80	208	165	34	22	23	107	82.6	33.3	M20	UC216	CF216	10.20	
216-49	3-1/16										UC216-49		10.38	
216-50	3-1/8	8-3/16	6-1/2	1-11/32	55/64	29/32	4-7/32	3.2520	1.311	3/4	UC216-50		10.25	
216-51	3-3/16										UC216-51		10.12	
UCCF217	85	220	175	36	24	23	111	85.7	34.1	M20	UC217	CF217	12.46	
217-52	3-1/4										UC217-52		12.68	
217-53	3-5/16	8-21/23	6-57/64	1-27/64	15/16	29/32	4-3/8	3.3740	1.343	3/4	UC217-53		12.54	
217-55	3-7/16										UC217-55		12.25	
UCCF218	90	235	187	40	24	23	122	96.0	39.7	M20	UC218	CF218	14.86	
218-56	3-1/2	9-1/4	7-23/64	1-37/64	15/16	29/32	4-51/64	3.7795	1.5630	3/4	UC218-56		14.97	