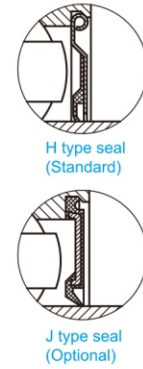
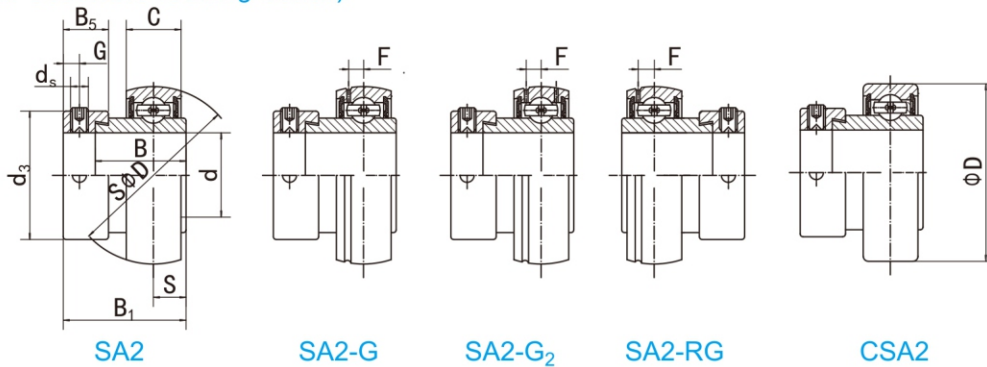


**Ball Bearings**  
(with eccentric locking collar)

**SA2 (Light-duty)**



Bearing NO.	Dimensions ( mm / in. )											Dynamic load ratings (N)	Static load ratings (N)	Weight (kg)
	d	D	B	B <sub>1</sub>	C	S	d <sub>s</sub>	G	F	B <sub>5</sub>	d <sub>3</sub>			
<b>SA201</b>	12	40	28.6	19.1	12	6.5	M6X1	4.8	3.4	13.5	28.6	9600	4600	0.12
201-8	1/2	1.5748	1.1260	0.7520	0.4724	0.256	1/4-28UNF	0.189	0.134	0.531	1.126			
<b>SA202</b>	15	40	28.6	19.1	12	6.5	M6X1	4.8	3.4	13.5	28.6	9600	4600	0.10
202-9	9/16	1.5748	1.1260	0.7520	0.4724	0.256	1/4-28UNF	0.189	0.134	0.531	1.126			
202-10	5/8													
<b>SA203</b>	17	40	28.6	19.1	12	6.5	M6X1	4.8	3.4	13.5	28.6	9600	4600	0.09
203-11	11/16	1.5748	1.1260	0.7520	0.4724	0.256	1/4-28UNF	0.189	0.134	0.531	1.126			
<b>SA204</b>	20	47	31.0	21.5	14	7.5	M6X1	4.8	4.2	13.5	33.3	12800	6600	0.16
204-12	3/4	1.8504	1.2200	0.8465	0.5512	0.295	1/4-28UNF	0.189	0.165	0.531	1.311			
<b>SA205</b>	25	52	31	21.5	15	7.5	M6X1	4.8	4.3	13.5	38.1	14000	7850	0.20
205-13	13/16	2.0472	1.2200	0.8465	0.5906	0.295	1/4-28UNF	0.189	0.169	0.531	1.5			
205-14	7/8													
205-15	15/16													
205-16	1													
<b>SA206</b>	30	62	35.7	23.8	16	9.0	M8X1	6	5	15.9	44.5	19450	11250	0.30
206-17	1-1/16	2.4409	1.4060	0.9370	0.6299	0.354	5/16-24UNF	0.236	0.197	0.626	1.752			
206-18	1-1/8													
206-19	1-3/16													
206-20	1-1/4													
<b>SA207</b>	35	72	38.9	25.4	17	9.5	M8X1	6.8	5.6	17.5	55.6	25700	15200	0.42
207-20	1-1/4	2.8346	1.5310	1.0000	0.6693	0.374	5/16-24UNF	0.268	0.220	0.689	2.189			
207-21	1-5/16													
207-22	1-3/8													
207-23	1-7/16													
<b>SA208</b>	40	80	43.7	30.2	18	11.0	M8X1	6.8	5.9	18.3	60.3	29500	18100	0.60
208-24	1-1/2	3.1496	1.7210	1.1890	0.7087	0.433	5/16-24UNF	0.268	0.232	0.720	2.374			
208-24	1-9/16													
<b>SA209</b>	45	85	43.7	30.2	19	11.0	M8X1	6.8	6.1	18.3	63.5	32700	20900	0.64
209-26	1-5/8	3.3465	1.7210	1.1890	0.7480	0.433	5/16-24UNF	0.268	0.240	0.720	2.500			
209-27	1-11/16													
209-28	1-3/4													
<b>SA210</b>	50	90	43.7	30.2	20	11.0	M8X1	6.8	6.5	18.3	69.9	35000	23200	0.72
210-29	1-13/16	3.5433	1.7210	1.1890	0.7874	0.433	5/16-24UNF	0.268	0.256	0.720	2.752			
210-30	1-7/8													
210-31	1-15/16													
210-32														
<b>SA211</b>	55	100	48.4	32.5	21	12.0	M10X1	8	7	20.7	76.2	43500	29200	1.00
211-32	2	3.9370	1.9060	1.2795	0.8268	0.472	3/8-24UNF	0.315	0.276	0.815	3.000			
211-33	2-1/16													
211-34	2-1/8													
211-35	2-3/16													
<b>SA212</b>	60	110	53.1	37.2	22	13.5	M10X1	8	7.4	22.3	84.2	47700	32900	1.34
212-36	2-1/4	4.3307	2.0910	1.4646	0.8661	0.532	3/8-24UNF	0.315	0.291	0.878	3.315			
212-37	2-5/16													
212-38	2-3/8													
212-39	2-7/16													